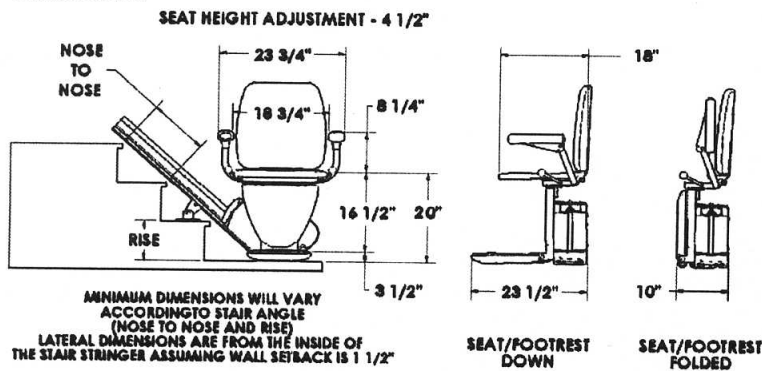


StairFlyer™

SIERRA

Dimensions



| | |
|------------------------------------|-------------|
| Minimum folded width | 10" |
| Minimum footrest height | 3.5" |
| Minimum swing width (check knees) | 26.0" |
| Clear distance between armrests | 19.0" |
| Floor to seat height – low / high | 20" / 24.5" |
| Minimum wall to stair side of rail | 6.5" |
| Seat depth | 16.0" |
| Backrest height from top of seat | 18.0" |

| | |
|--|------------------------------------|
| Maximum weight capacity | 350 lb. |
| Electrical requirements | 115 VAC |
| Operation power | 24V DC Battery |
| Maximum travel | 70 ft |
| Speed | 17 ft/min. |
| Incline Limits | 32 – 52 degrees |
| Drive system | Plastic worm/worm-rack |
| Motor output speed at rated load | 62 rpm |
| Motor output torque at rated load | 18 lb ft |
| Motor output amps at rated load | 14 Amps |
| Track (rail) type | Extruded aluminum |
| Average return trips per charge | 20 – 40 (varies with load, length) |
| Tools required to install | 5 |
| Shipping weight | 200 lb.* |
| Shipping packages (UPS or FedEx) | 4* |
| Largest package | 58 lb. |
| Symmetrical lift (Left or right stair) | Yes |
| Switchable arms (Left or right hand operation) | Yes |
| Need to open chassis to install or change sides? | No |

*Typical for a 16' stairlift

Model Sierra
As manufactured for
Integrity Group Cos., Inc. by
Summit Lifts, Inc.