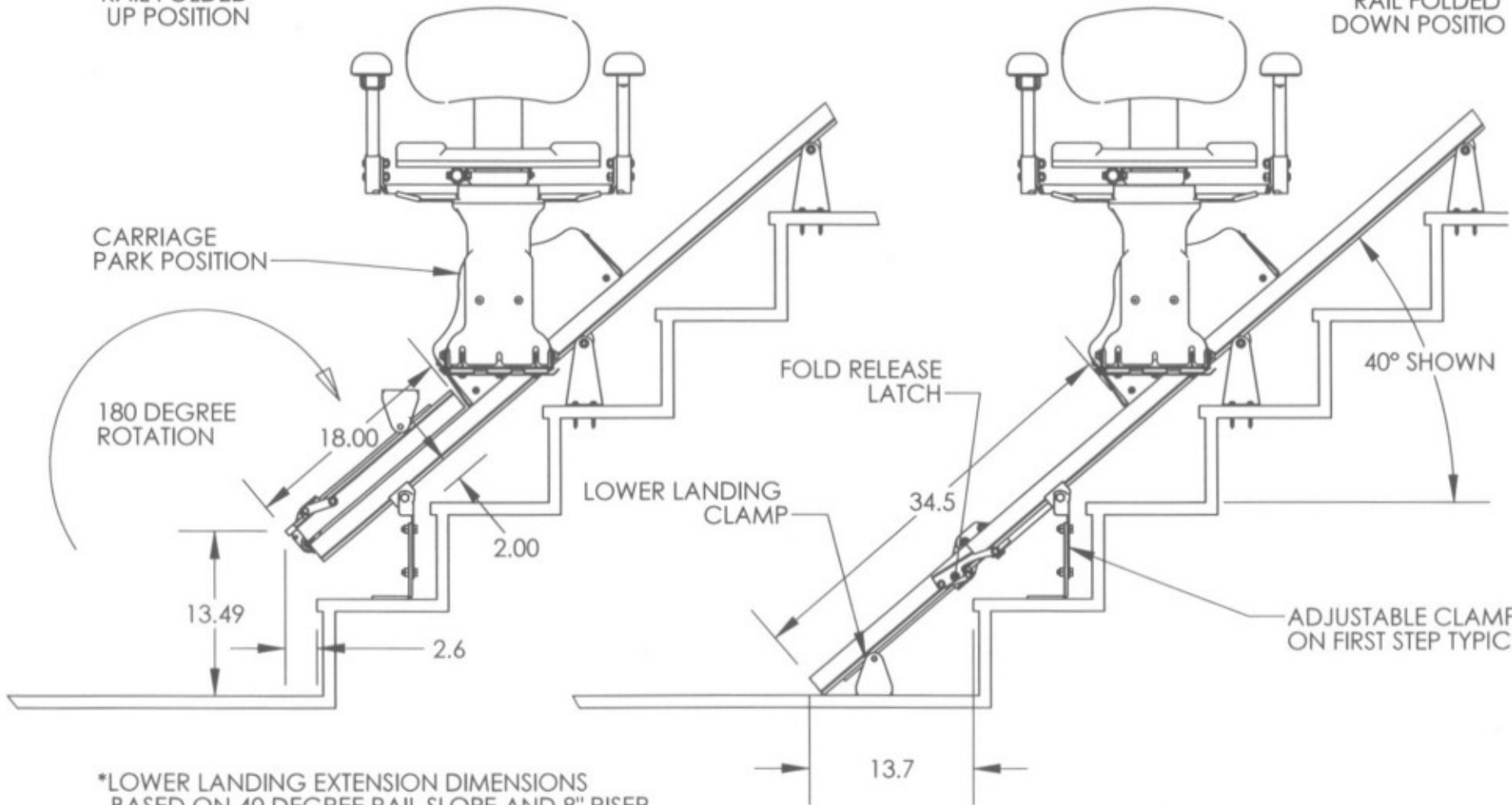


# StairFlyer™ LT

AUXILLIARY  
ELEVATION VIEW  
RAIL FOLDED  
UP POSITION

AUXILLIARY  
ELEVATION VIEW  
RAIL FOLDED  
DOWN POSITIO



\*LOWER LANDING EXTENSION DIMENSIONS  
BASED ON 40 DEGREE RAIL SLOPE AND 8" RISER  
HEIGHT. DIMENSION WILL VARY BASED ON SLOPE  
AND RISER HEIGHT.

## FOLDING TRACK ILLUSTRATION

Model Electra-Ride Elite SRE 2010  
As manufactured for  
Integrity Group Cos., Inc. by  
Bruno Independent Living Aids, Inc.

## TECHNICAL DATA/SPECIFICATIONS

MODEL: SRE-2750 Electro Ride LT

RATED LOAD: 275 LBS, ONE PASSENGER

POWER SOURCE: 24 VOLT DC COMPRISED OF (2) 7 AMP/HR  
12 VOLT SEALED BATTERIES.

100-240 Volt AC, 50/60 Hz, 0.85 Amp Power Supply Input  
33 Volt DC 1 amp transformer output, 29.6 to 27.6 Volt  
DC charging at 850mA max, continuous monitoring.

DRIVE: 24 VOLT DC MOTOR, 2 POLE RATED .50 HP  
INTERMEDIATE DUTY NO LOAD SPEED OF 4230 RPM.  
DIRECT DRIVE DOUBLE REDUCTION GEARBOX 80:1 RATIO  
FIRST STAGE 20:1 SELF LOCKING WORM GEARING  
SECOND STAGE 4:1 HELICAL GEARING.

FINAL DRIVE: RACK & PINION - INTEGRATED 8dp GEAR RACK  
ON RAIL WITH SPUR GEAR ON THE GEARBOX  
OUTPUT SHAFT.

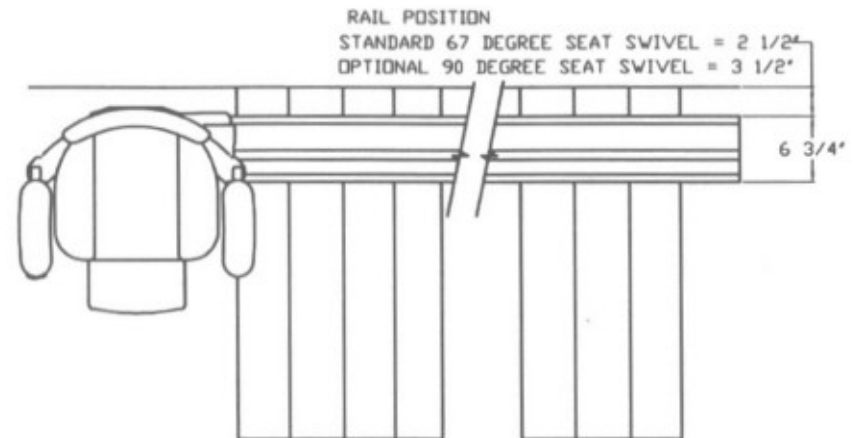
BRAKING: DYNAMIC MOTOR BRAKING THROUGH THE MOTOR  
CONTROLLER AND SELF LOCKING WORM GEAR.

CONTROLS: CONTINUOUS PRESSURE ROCKER SWITCH LOCATED  
ON ARMREST AND WALL MOUNTED CALL/SEND  
CONTROLS LOCATED AT BOTH TOP & BOTTOM  
LANDINGS.

ANGLES: 0 TO 45 DEGREES (Specials up to 50 Degrees)

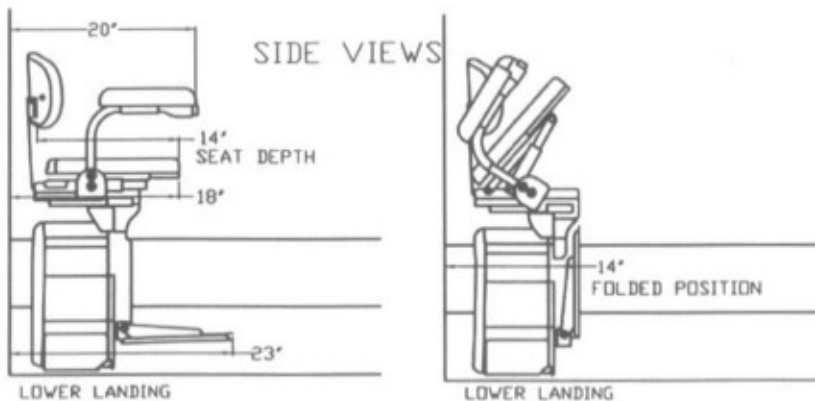
SPEED: 32 FEET PER MINUTE UNLOADED  
18-23 FEET PER MINUTE WITH RATED LOAD

FINAL LIMIT SWITCH STANDARD



TOP VIEW

*Stairflyer*<sup>TM</sup>  
LT

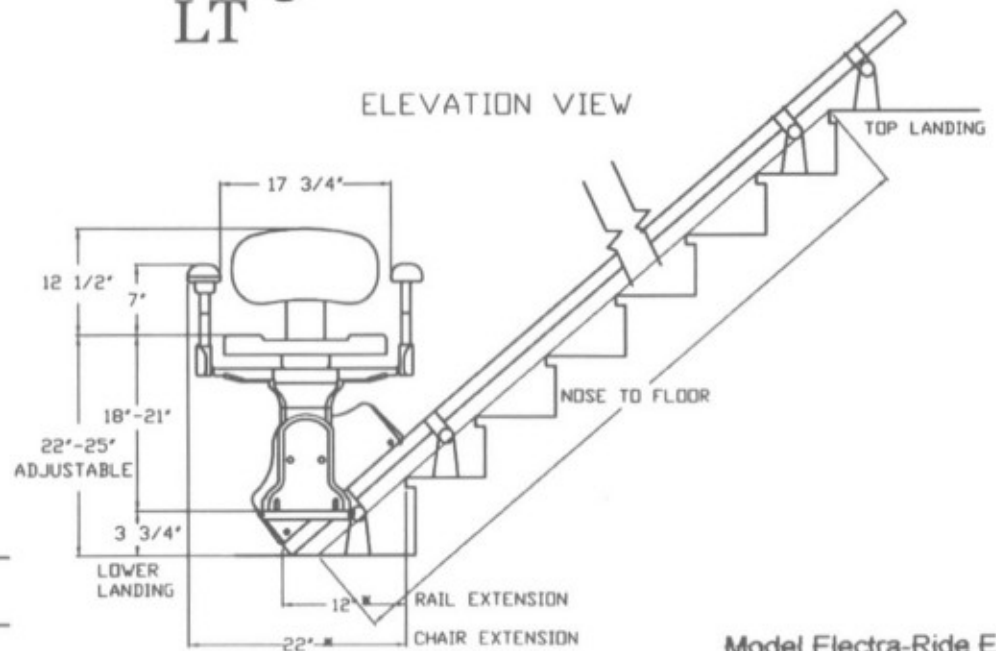


LOWER LANDING

LOWER LANDING

SHEET 1 OF 2 DIMENSIONS BASED ON 2 1/2" RAIL POSITION

ELEVATION VIEW



\* LOWER LANDING EXTENSION DIMENSIONS ARE  
BASED ON 40 DEGREE RAIL SLOPE AND 8" 1ST  
RISER HEIGHT, DIMENSIONS WILL VARY BASED ON  
SLOPE AND RISER HEIGHT.

Model Electro-Ride Elite SRE 275  
As manufactured for  
Integrity Group Cos., Inc. by  
Bruno Independent Living Aids, Inc.